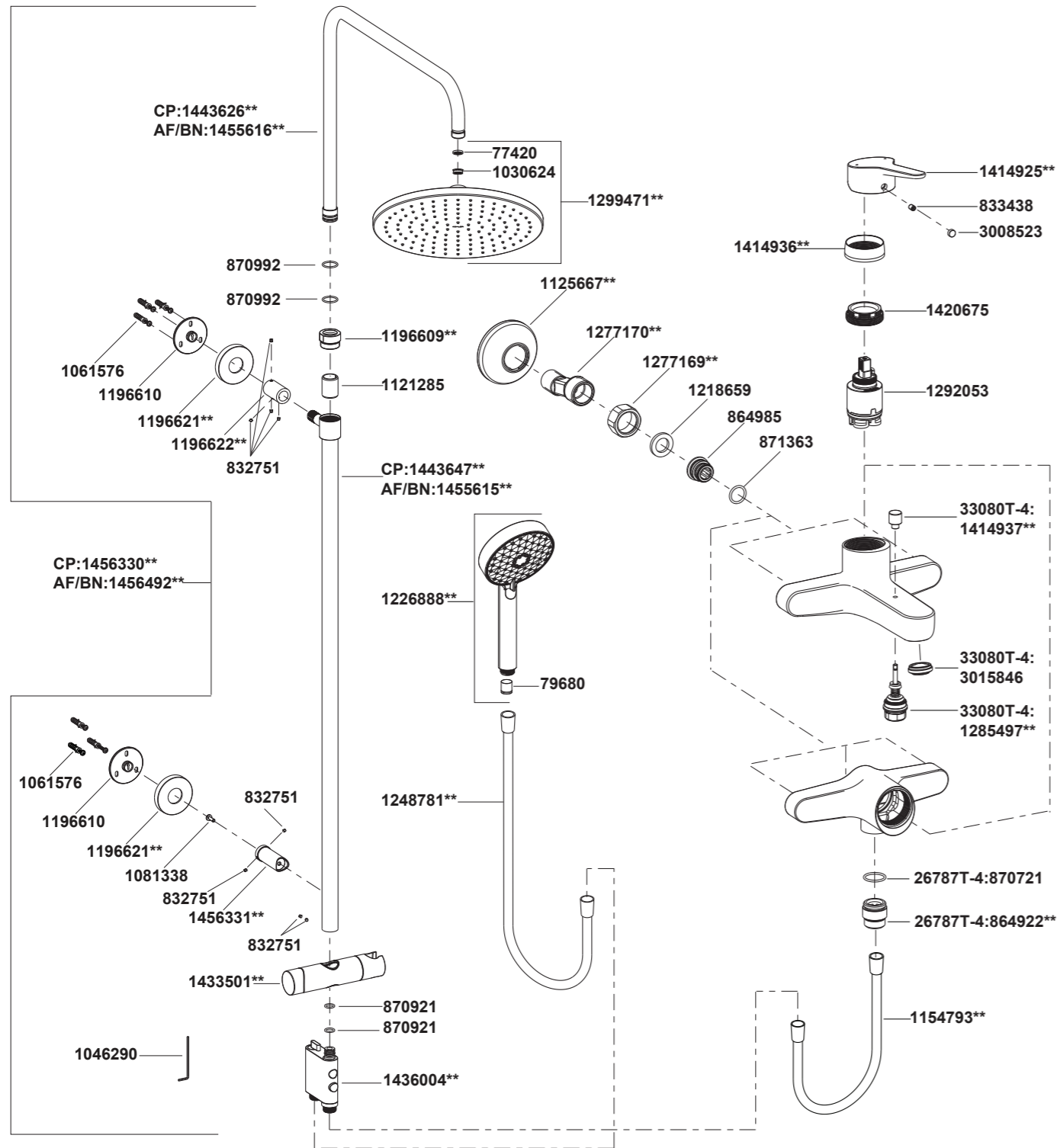


26787T-4 双花洒淋浴柱 - 软管连接 OL  
33080T-4 三出水淋浴柱 - 软管连接 OL



\*\*订购时请说明颜色编号

\*\*Color code must be specified when ordering

26787T-4 双花洒淋浴柱 - 软管连接 OL  
33080T-4 三出水淋浴柱 - 软管连接 OL

#### 安装之前

所有的资料是按最新发布的产品资料编写而成。科勒公司保留任何时候不经通知即可改变产品特性、包装或产品可供类型的权利。

说明书包括重要的安装、保养及清洁方面的内容，请把这些资料交给用户阅读。

#### 注意事项：

1. 彻底冲洗供水管，以清除管路中杂质。
2. 检查供水管路有无损坏。如需要进行替换。切断供水管路。
3. 遵守当地管路安装条例。
4. 切换器正常工作的最小压力为：0.05MPa(0.5bar)。
5. 推荐最小工作压力：0.1MPa(1bar)。
6. 花洒最高工作压力：0.5MPa(5bar)。水压超过0.5MPa(5bar)须安装减压阀。花洒最高工作温度及环境温度：60°C。请特别注意花洒同花洒连接的臂管须远离浴霸，否则可能损坏花洒及其密封件，甚至对使用者造成伤害。

#### BEFORE YOU BEGIN

All information is based on the latest product information available at the time of publication. Kohler Co. reserves the right to make changes in product characteristics, packaging, or availability at any time without notice.

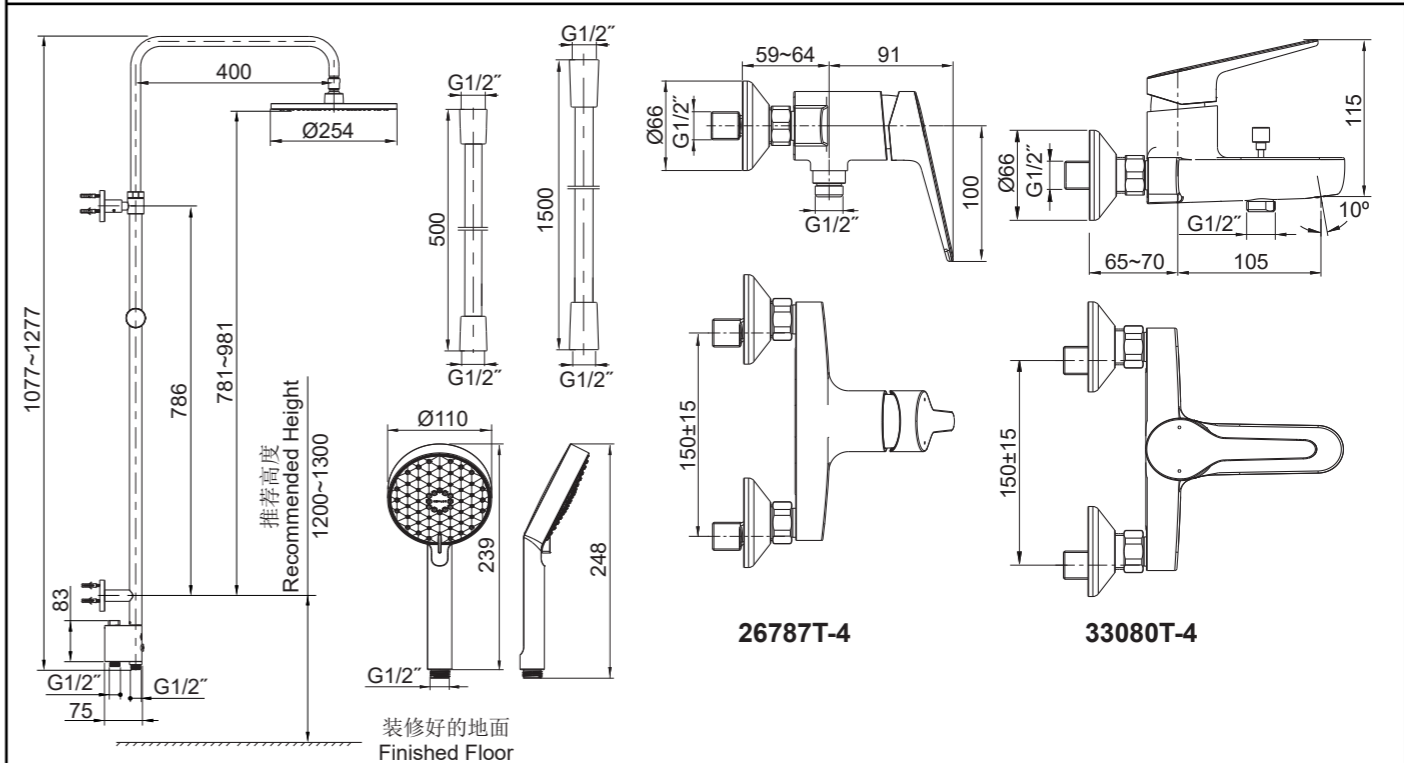
Please leave these instructions for the consumer. They contain important information.

#### NOTES:

1. Flush the water supply pipes thoroughly to remove debris.
2. Inspect the supply tubing for damage. Replace as necessary. Shut off the water supplies to the fitting.
3. Observe local plumbing codes.
4. The minimum inlet water pressure for diverter is 0.05MPa(0.5bar).
5. Recommended minimum working pressures is 0.1MPa(1bar).
6. The highest working pressure for handshower & showerhead is 0.5MPa(5bar). If it exceeds 0.5MPa(5bar), a pressure reducer is needed. The highest water and environment temperature is 60°C. Please keep handshower, showerhead and shower arm away from heater, or it may become damaged and cause injury to the user.

#### 安装尺寸

#### ROUGH-IN DIMENSIONS



## 安装步骤

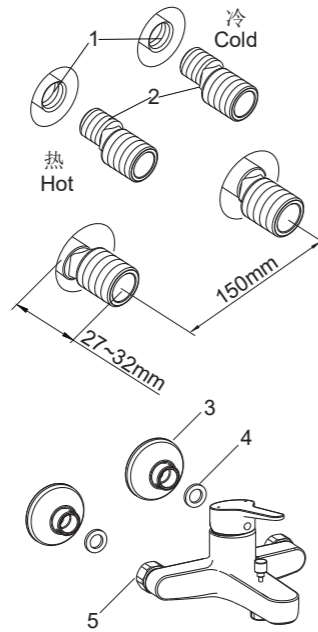
### 如何安装水龙头

为安装顺利，G1/2"内螺纹管道配件(1)应已装好，预留150mm的间距，保持水平。管道配件要垂直并且不能突出装修好的墙面。热供水管装在左边。

彻底冲洗供水管以清除管路中的杂质。在两个接头(2)涂上螺纹密封胶或缠绕足以密封的密封胶带，旋入冷热水管中。

调节两个接头使其中心距离为150mm，并保持同一水平线，凸出墙面27~32mm。把装饰罩(3)旋在接头上使其紧贴墙面。

把垫片(4)放入水龙头螺母(5)内，把螺母旋到接头上并拧紧。**注意：**在锁紧螺母时须用带状扳手或用软布垫在普通扳手和螺母之间，以保护镀层表面。



## INSTALLATION

### How to Install the Faucet

To perform installation, installer must provide G1/2" female supply fittings(1), spaced 150mm apart and horizontal. The supply fittings should be vertical and not beyond the finished wall. Hot supply pipe must be located on the left.

Flush the water supply pipes thoroughly to remove debris. Install the two offset connectors (2) into the hot and cold supply pipes. Use appropriate thread sealants or thread tape on pipe threads.

Adjust the center-to-center distance between the connectors to 150mm horizontally. They should extend 27~32mm beyond the finished wall. Thread the escutcheons(3) onto the connectors until they are against the wall.

Put the washers(4) into the nuts(5). Thread and tighten the nuts to the connectors. **NOTE:** When tighten the nuts, use strap wrench or soft cloth between product and regular wrench to protect the finish.

### 如何安装淋浴杆

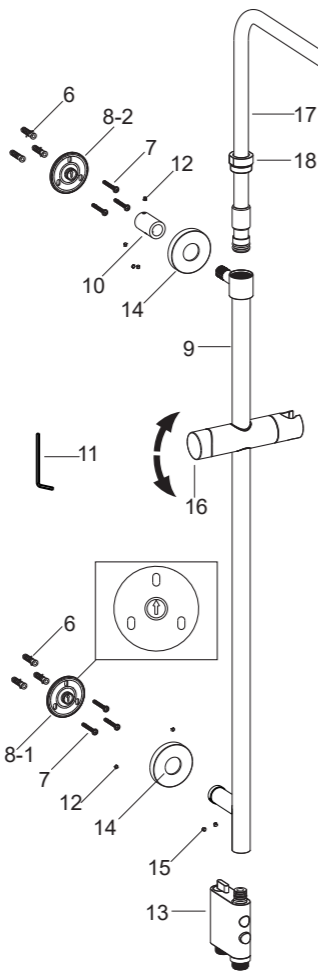
根据安装尺寸在垂直面的墙壁选一合适的位置来安装淋浴杆。根据胀塞(6)的直径和下底座(8-1)的安装位置在垂直墙壁上钻孔(**注意：**底座上的箭头朝上)。将胀塞塞入孔中，用螺钉(7)固定下底座。

试装滑杆组件(9)，以确定上底座(8-2)的安装位置。将接管(10)套在滑杆组件接头上，并与底座连接(**注意：**底座上的箭头朝上)。将螺钉(12)装入接管，并用六角扳手(11)锁紧。

将滑杆紧贴墙壁放置。连接下底座与滑杆组件，并用螺钉固定。调整好滑杆及各组件朝向，用铅笔标记上底座(8-2)孔位。拆下滑杆组件和上底座。**注意：**切勿弄丢螺钉。

根据胀塞直径在标记处钻孔。将胀塞塞入孔中，用螺钉固定上底座。将切换器(13)装到滑杆组件上，用六角扳手锁紧螺钉(15)。将滑杆组件连同装饰罩(14)装在底座上，用六角扳手锁紧螺钉。将装饰罩旋紧到底座上直至接触墙面。调整托架(16)到合适位置。

将弯管组件(17)装入滑杆组件。用软布垫在螺母(18)的里孔和弯管组件之间，将螺母套入弯管组件。然后用带状扳手或用软布垫在普通扳手和螺母之间，将螺母旋紧到滑杆组件上。



### How to Install the Shower Column

Select a location in vertical wall to install shower column according to rough-in dimensions. Drill the lower hole according to anchors' (6) diameter and lower base(8-1) position in the finished wall (**NOTE:** The arrow in the base is upward). Press anchors into the hole, secure the base by the screw(7).

Rehearse the slide bar kit(9) installation for the upper base(8-2) mounting location determination. Slide the tube joint(10) onto the slide bar kit, and connect them to the base(**NOTE:** The arrow in the base is up). Install the screws(12) into the tube joint with the hex wrench(11), and tighten them.

Place the slide bar and the body against the finished wall. Connect the lower base and the slide bar kit. Position and tighten them with a hex wrench. Mark the hole of upper base(8-2) with a pencil. Uninstall the slide bar kit and upper base. **NOTE:** Don't lose the screws.

Drill holes on the mark. Press the anchors into the holes. Secure the upper base by the screws. Install the diverter kit(13) to the slide bar kit. Tighten the screws(15) with a hex wrench. Reinstall the slide bar kit with escutcheons(14) to the bases. Tighten the screws with a hex wrench. Screw the escutcheons to the bases until against the finished wall. Adjust the bracket(16) to the right position.

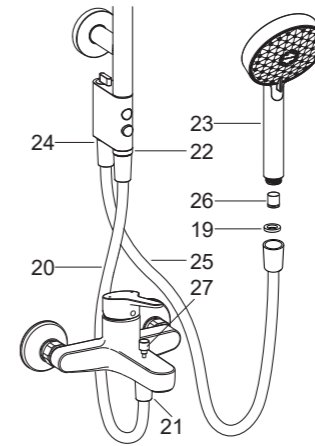
Install the tube kit(17) into the slide bar kit. Install the nut(18) onto the tube kit with soft cloth between internal hole of the nut and the tube kit. Then screw the nut onto the slide bar kit with strap wrench or soft cloth between the nut and regular wrench.

### 如何安装手持花洒和软管

打开供水源及龙头，提起切换器(27)以冲掉杂质。

将垫片(19)分别放到500mm软管(20)的两端。用软管(20)连接出水口(21)及切换器接头(22)。

根据需要 will 限流器(26)塞入手持花洒(23)进水口。将滤网垫片(19)放到1500mm软管(25)的两端，用软管(25)连接接头(24)与手持花洒。



### How to Install the Handshower and Hose

Lift the handle and diverter(27), run hot and cold water for one minute to remove any debris.

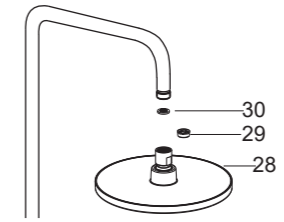
Put two washers(19) in each end of the 500mm length hose(20). Connect the outlet(21) and connector(22) with the hose(20).

Put the regulator(26) into the handshower(23) if needed. Put two washers(19) into each end of the 1500mm length hose(25). Connect the connector (24) and handshower with the hose(25).

### 如何安装头顶花洒

装头顶花洒(28)之前，按压切换器(13)按钮打开水源冲掉管路中的杂质。

根据需要 will 限流器(29)塞入头顶花洒进水口。将垫片(30)放入花洒内，连接弯管组件及头顶花洒，并用带状扳手锁紧花洒。



### How to Install the Showerhead

Press the diverter(13) button, run hot and cold water for one minute to remove any debris before the showerhead(28) is installed.

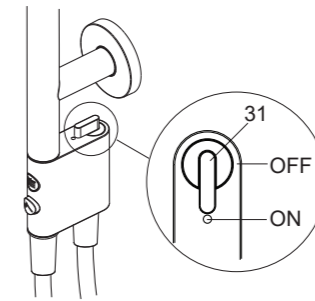
Put the regulator(29) into the showerhead if needed. Put the washer(30) into the showerhead. Connect the showerhead to the tube kit, and tighten the showerhead with strap wrench.

## 使用说明

将把手轻轻提起，顺时针转为热水，逆时针转为冷水。淋浴柱切换器上的按钮可以切换到头顶花洒或手持花洒出水。

对于33080T，龙头切换器处于正常位置时出水口出水；将切换器轻轻提起，顺时针旋转切换器，头顶花洒或手持花洒出水。关闭龙头，逆时针旋转切换器到停止位置。

本产品具有自动排出淋浴柱内残留水的功能，每次使用完头顶花洒后自动排出残留水，转动淋浴柱切换器后方把手(31)可开启或关闭此功能(如图所示)。



## OPERATION INSTRUCTIONS

Lift the handle gently. Turn clockwise for hot water, turn counter-clockwise for cold water. Press the button of the diverter to switch to the showerhead or handshower mode.

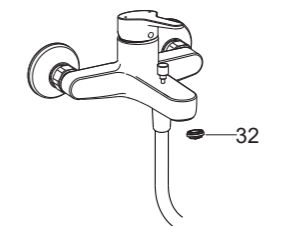
For 33080T, water flows out from spout when faucet diverter is in the normal position; Lift the diverter gently, turn it clockwise, the showerhead or handshower works. Shut off the faucet, turn the diverter counter-clockwise until it stops.

The products can automatically discharging the residual water in the column. It will automatically discharge the residual water after each bathing. Turn the handle(31) behind the column to turn on or turn off this function (as figure shown).

## 安装结果检查

检查并确保所有衔接螺母都已拧紧。确保把手在关闭位置。打开主供水源，检查是否有漏水。如有漏水，修理之。

对于33080T，用硬币拆下起泡器(32)。打开水龙头冷热水让水流约一分钟以清除杂质，检查渗漏。冲洗起泡器，关闭水龙头，重新装回起泡器。



## INSTALLATION CHECKOUT

Ensure all connections are tight. Ensure the handle is in the off position. Turn on the main water supply, and check for leaks. Repair as needed.

Only for 33080T, remove the aerator(32) with coin. Turn on the faucet. Run hot and cold water for about one minute to remove any debris. Check for leaks. Remove any debris from the aerator. Shut off the faucet. Reinstall the aerator.

## 清洗说明

适用于所有加工处理过的表面：以中性肥皂水清洗镀层表面，再以干净软布彻底擦干整个表面，许多清洁剂比如氨水、去污粉及洁厕灵等，会对电镀表面造成伤害，切忌使用。

有磨损性的清洁用具或清洁剂也不可适用于科勒牌的水龙头及其配件上。

## CLEANING INSTRUCTIONS

All Finishes: Clean the finish with mild soap and warm water. Wipe entire surface completely dry with clean soft cloth. Many cleaners may contain chemicals, such as ammonia, chlorine, toilet cleaner etc. which could adversely affect the finish and are not recommended for cleaning.

Do not use abrasive cleaners or solvents on Kohler faucets and fittings.